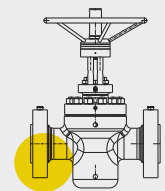
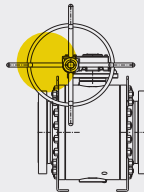
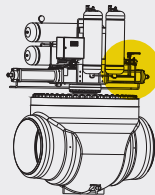
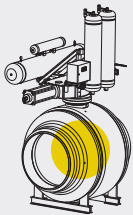




VALVES & ACTUATORS

COMPANY & PRODUCT OVERVIEW

21/22



INDEX

About Vastas -----	5
Foundation & History -----	6
Vision & Mission -----	7
Industries Served -----	8
Operation Solutions -----	12
Product Range -----	14
Ball Valves -----	16
Gate Valves -----	22
Check Valves -----	24
Plug Valves -----	25
Globe Valves -----	26
Forged Valves -----	27
Tailor Made -----	28
Actuators -----	31
All Valve Services -----	35
Worldwide Vastas Network / Europe -----	36
Worldwide Vastas Network / Africa -----	38
Worldwide Vastas Network / Asia & Middle East -----	40
Worldwide Vastas Network / South America-----	42

Ziya Ergin, Istanbul Workshop in Karakoy, 1945 / Istanbul-Turkey



VASTAS

Designing and producing safe, long lasting valves for the industry. Uses its expertise for maintenance, repair and renewal of all valve system extending to all valve brands.

DESIGN

Using 77 years of site experience, Vastas designs advanced valve solutions, including tailor-made valves for the most complex needs.

PRODUCE

Vastas' 21.000m² production plant differs from others with its in-house capabilities. Machine park has over 300 key machines and tools including CNC, testing benches, welding, heat treatment, coating facilities etc. API & ISO accredited. The production facility and all processes are in line with the QHSE management system.

SERVICE

Heritage of Vastas is its site service, which has a history that dates back to 1930's. Today, Vastas is a service provider for all valve and actuator brands.

ESTABLISHMENT

1945

LOCATION

Turkey

CAPACITY

12.000 tons / year

PERSONNEL

250+

FOCUS

Pipeline Valves

PRIMARY INDUSTRIES

Oil & Gas, Energy, Water

PRODUCT LINE

Ball, Gate, Check, Plug, Globe Valves, Hydraulic & Pneumatic Actuators

ACCREDITATION

SIL Certified / Since 2015

API 6D / Since 2003

API 600 / Since 2006

NACE / Since 2010

ATEX / Since 2010

ASME U Designator /

(ASME Sec. 8 Div 1)

ISO 9001 / Since 1997

ISO 14001 / Since 2003

ISO 45001/Since 2003

CE / Since 2002

You can visit our website to review the certificates.

FOUNDATION & HISTORY

In 1945, after years of field experience, two masters Ali & Ziya started a 12 m². workshop in Karakoy Istanbul. That small workshop became the origin of Vastas and the Valve business. Today Vastas is operating at a 21.000 m² production facility and exporting over 70 countries worldwide.

Milestones

First workshop	1945
First valve production	1967
Corporate status / Vastas brand was born	1979
First investment / New plant was built at Cerkezkoy OSB	1986
Becomes the first Turkish valve manufacturer with API 6D monogramme.	2003
Applies QHSE Integrated Management System, acc.to API 1 and ISO 9001, 14001, OHSAS18001 certified	2003
Re-enlargement / Increased the capacity by 110% and the overall sales by 250%	2004
Product Development & Licence / API 600 monogram licence received, Actuators included in the production range	2006
Growth & Sustainable Development/ Increased it's personnel capacity by 250%	2011
Vastas produces Turkey's Biggest NGPL Ball Valve a 56 inch FW type.	2011
TS EN ISO 17025 Laboratory Accreditation obtained	2011
API 6A & API 602 monogram license received.....	2012
The first Turkish valve company with SIL 2&3 certification.	2015
International Quality Award	2015
ASME -U Designator acc.to Asme Sec. VIII, Div 1	2016
Earns a milestone reference, producing all tank storage and pipeline valves of the giant airport IGA	2017
QHSE Integrated Management System, ISO 45001 Certified	2019

VISION & MISSION

Our Vision

Our aim is to become one of the leading global brands, manufacturing industrial valve & actuators.

Our Mission

With our commitment to future generations; our mission is to ensure a sustainable environments for all living kinds and update our values for the society.

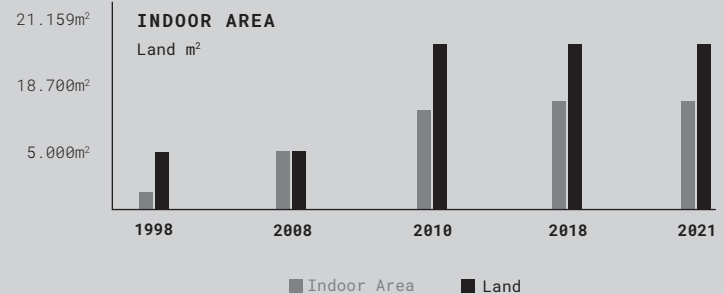
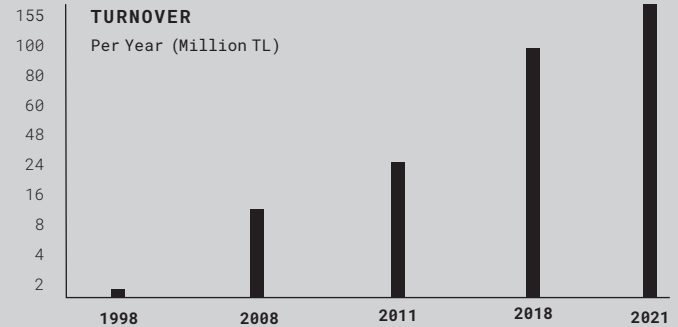
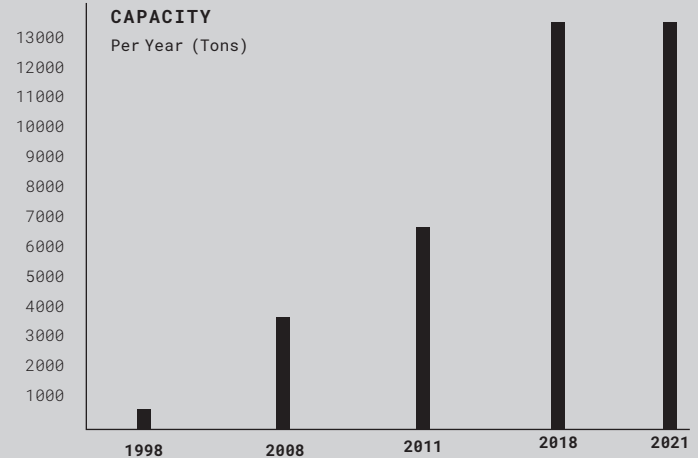
Our Policy

Vastas's Policy is to create optimum value from what is spent. To reward the time and manpower spent, to contribute brainpower. To ensure the sustainability of the natural sources spent, to invest in the future of the community and environment.

Our Values

- Sustainable life for all
- Transparency
- To bear yesterday's responsibility
- Be the best of today
- Serve the product of tomorrow
- Continuous development of quality
- Customer-focused services

Improvement Report



INDUSTRIES SERVED

NATURAL GAS



- Natural Gas Pipeline Projects
- Natural Gas Storage Projects
- GTL Projects
- LNG Storage Projects
- LNG Terminal and Regasification Projects

Vastas API Spec. 6D valves and combined systems are designed for natural gas projects and are offered as emergency shut down, line- break, shut-off, differential pressure controlled, remote and/or local controlled.

Area of usage includes line blocking, pigging stations, compressor stations, regulating & metering stations, loops and takeoff processes.

With its focus on midstream projects, economical life of Vastas pipeline valves are 40 years and alternatives depending on operational conditions and maintenance preferences may be supplied upon request.

You may find the best-suited type to your line maintenance procedure between full-welded, split body, top entry alternatives. Services on live pipeline, line-break, part renewal or maintenance are also Vastas' expertise area and offered as a full facility package and not limited with own brand.

Vastas can supply all non-cryogenic valve types for LNG projects. Non cryogenic valves are under tailor-made scope.

REFERENCE PROJECTS

TANAP Compressor Stations
Turkey



Tuzgolu Underground Storage Expansion Plant Project
Turkey



Gharaiesti and Onesti Compressor Station
Romania



GASCO / ICB / 007 - LPT (1) Helwan Power Project Savings
Egypt



Megalopdi MIR Station U-7290
Greece



CRUDE OIL



- Exploration & Production Projects
- Crude Oil Transmission Projects
- Crude Oil Pipeline Projects
- Slurry Pipeline Projects
- Crude Oil Storage Projects
- Crude Oil Refining Projects
- LPG Storage Projects

Vastas manufactures API 6D valves and actuator systems for crude oil pipelines and API 6A Valves for wellhead needs. Preferred application areas are line blocking, pigging stations, metering stations, terminals and wellheads. However Vastas valves are used in various areas at various projects.

Services on live pipeline, and various after-sales, maintenance, repair, refurbishment services are also Vastas' expertise area and offered as a full facility package and not limited with own brand. With 80 years of field experience, it can offer solutions in cases of limited maintenance possibility.

FUEL



- Fuel Storage Projects
- Fuel Pipeline Projects
- Refining Projects

Vastas API Spec 600 valves are applicable for Fuel and other oil products and used in terminals, pipelines and storage facilities.

These valves designed for fuel storage and tank farms, fuel, jet fuel and jetty pipeline are offered manual with remote or local control and as emergency shutdown or shut-off purposes.

REFERENCE PROJECTS

SHELL Gumusut - Kakap Deep Water Platform,
Malaysia Pearl GTL Project, Qatar Storage and
Terminal, Turkey PDVSA Refinery,

Venezuela



BP Sangachal Terminal
Azerbaijan



Socar Projects:

-Star Refinery

-Wellheads

-NG, CO Production, Distribution

-Oilfield CO, NG, Water Pipelines

-Aliaga Oil Storage Terminal Exp,

Turkey, Azerbaijan



KOC Projects:

-North Kuwait Crude Oil

-North Kuwait Flow Lines

Kuwait



GAZPROM Badra Oil Field Development Project
Iraq



REFERENCE PROJECTS

ENI Sannazzaro Refinery
Italy



Istanbul Grand Airport (IGA) Project,
Turkey



Astana International Airport
Kazakhstan



OPET Marmara Fuel Plant,
OPET Airport Jet Fuel Terminal

Turkey



WATER



- Water Transmission Pipeline Projects
- Water Reservoir Projects
- Drinking Water Projects
- Hot Water & Geothermal Projects
- Sea Water Projects
- Desalination Projects
- Waste Water Projects

Complying with AWWA standards and ASME Sec III and B16.34 standards, Vastas valves are suitable for water projects. High-pressure valves for water pipelines complying with international standards, corrosion resistance solutions for waste water and seawater, valves operating at high temperature for hot water, steam and geothermal solutions are in Vastas production scope.

Some water applications like saline water are subject to extreme conditions and with its R&D strength and manufacturing flexibility, Vastas can offer valve and actuator solutions with special materials and customized design.

ENERGY



- Thermal Power Plant Projects
- Geothermal Power Plant Projects
- Solar-Thermal Power Plant Projects
- Hydroelectric Power Plant Projects
- Combined Cycle Power Plant Projects

Vastas is aware that valves have a critical role in optimizing efficiency in the plant and for power plant projects it has to be ready for harsh conditions. Vastas valves are suitable for high pressure and high temperature applications. When needed, Vastas offers tailor made valve solutions for severe services and critical applications.

Vastas products can operate at hot water & steam, complying with AWWA standards and ASME Sec III and B16.34 standards they can be used for various projects including geothermal facilities, at various processes including ORC. Vastas products include Strainers for Geothermal projects.

REFERENCE PROJECTS

IMPSA Miel II Project
Colombia



SWCC Ras Alzarw - Riyadh Water Transmission Line
Saudi Arabia



المؤسسة العامة لتحلية المياه المالحة
Saline Water Conversion Corporation

Malawi Blantyre, Chileka Pumping Stations
Malawi



Bulgarian, Pleven Water Conveyance Line Project
Bulgaria



Jordan, Al Samra Waste Water Transmission Pipeline
Jordan



Water Authority of Jordan

REFERENCE PROJECTS

1800 Mw ALBA PS5 Combined Cycle Power Plant
Bahrain



SAMSUNG C&T Kirikkale Independent Power Plant
Turkey



Misurata Simple Cycle Power Plant Project
Libya



IRON & STEEL INDUSTRY



Vastas API600, API6D Gate, Ball, Check, Globe, Plug valves and tailor-made Goggle valves, stariners are used in Iron & Steel facilities for Cooling Systems, Furnace Gas, Coke Gas, NG lines and power stations.

MINING INDUSTRY



Vastas valves are used at various mining facilities including Phosphate, Gold, Silver, Copper, Mercury and so on. It is used for metal concentrates and slurry lines. Vastas product range includes Knife Gate Valves, for these applications. plus pinch valves and air release valves are manufactured as tailor-made projects upon request.

MARINE



- Marine Terminal Projects
- FSRU Projects
- FSO & FPSO Projects
- Drill ship Projects
- Oil Tanker Projects

Vastas valves can be used at various marine projects, with sub-sea excluded. Vastas does not yet offer valves with Marine standards but it offers high pressure solutions, sea water resistance and tailor made solutions for special requirements. Vastas valves with API6D, API600, API 594 standards are used at various marine projects including Terminals, platforms and FRSU, FPSO.

REFERENCE PROJECTS

Ternium Siderar Gas Treatment Plant
Argentina



Erdemir Production Facility, Coke Oven Plant Project
Turkey



Isdemir Iron & Steel Plant
Turkey



REFERENCE PROJECTS

Eti Gümüş Kutahya City Mining
Turkey



OCP Khouribga - Jorf Lasfar Phosphate Slurry Pipeline System
Morocco



REFERENCE PROJECTS

BW Offshore Catcher FPSO Development Project
United Kingdom



Karadeniz 470MW Powership Osman Khan (FPP)
Liberia, Ghana



TOTAL Kaombo Field Development Project 2 FPSO Units
Angola



OPERATION SOLUTIONS

Vastas offers complete valve systems and various solutions from a single source. Vastas valve and actuator systems can be listed in eight main groups.

ESDV EMERGENCY SHUT DOWN VALVE SYSTEMS



PIPELINE



REFINERY



RMS



TANK STORAGE



WELL HEAD



POWER PLANT

SDV SHUT DOWN VALVE SYSTEMS



PIPELINE



REFINERY



POWER PLANT



RMS



WELL HEAD



TANK STORAGE

LBV LINE BREAK VALVE SYSTEMS



PIPELINE



WELL HEAD

SSOV SAFETY SHUTOFF VALVE SYSTEMS



RMS

BDV

BLOW DOWN VALVE SYSTEMS



REFINERY



RMS



WELL HEAD



POWER PLANT

HIPPS

HIGH INTEGRITY PRESSURE
PROTECTION SYSTEMS



WELL HEAD



PIPELINE



PIPELINE



REFINERY



PIPELINE

PROCESS VALVE SYSTEMS



PIPELINE



REFINERY



POWER PLANT



TANK STORAGE



RMS



WATER WORKS



FPSO



MINE

MOV

MOTOR OPERATED VALVE SYSTEMS



PIPELINE



REFINERY



POWER PLANT



TANK STORAGE



RMS



WATER WORKS



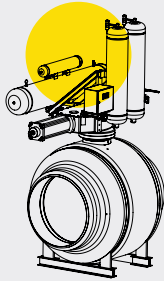
FPSO



MINE

PRODUCT RANGE

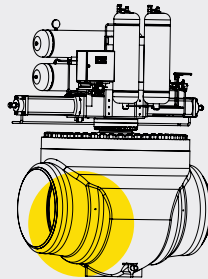
Main Product Range are Ball Valves, Gate Valves, Check Valves, Globe Valves, Plug Valves, Hydraulic Actuators & Pneumatic Actuators.



Full Welded Ball Valves

API 6D monogrammed

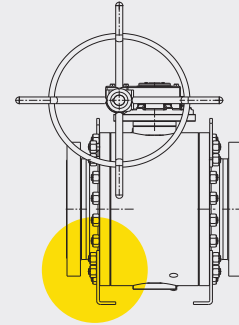
Safety Integrity Level (SIL) Certified,
ATEX, PED



Top Entry Ball Valve

API 6D monogrammed

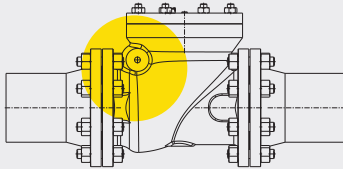
Safety Integrity Level (SIL) Certified,
ATEX, PED



Split Body Ball Valves

API 6D monogrammed

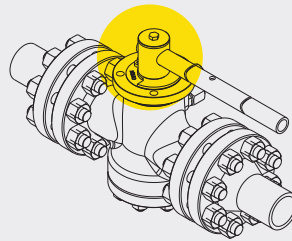
Safety Integrity Level (SIL) Certified,
ATEX, PED



Check Valves

API 6D monogrammed

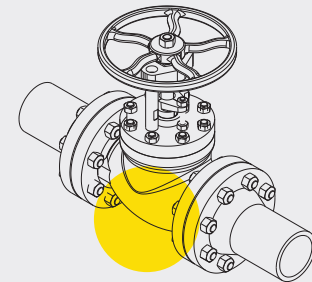
ATEX, PED



Plug Valves

API 6D monogrammed

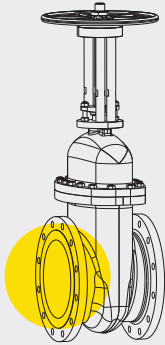
ATEX, PED



Globe Valves

BS 1873 / API 623

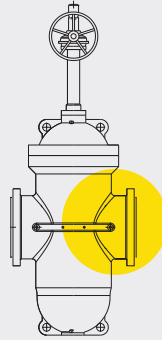
Safety Integrity Level (SIL) Certified,
ATEX, PED



Wedge Gate Valves

API 600 monogrammed

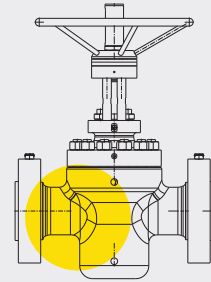
Safety Integrity Level (SIL) Certified,
ATEX, PED



Conduit Gate Valves

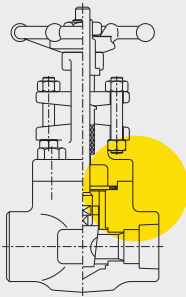
API 6D monogrammed

Safety Integrity Level (SIL) Certified,
ATEX, PED



API 6A Gate Valves

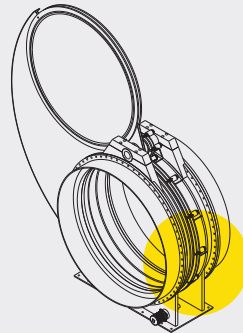
Safety Integrity Level (SIL) Certified,
ATEX, PED



Forged Valves

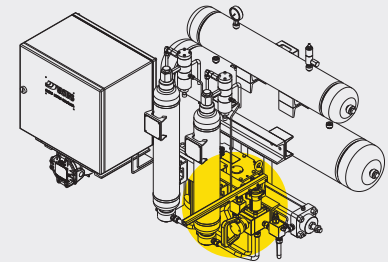
API 6D / API 608/ BS 5352 /
ISO 17292

Safety Integrity Level (SIL) Certified,
(E604 & E60T)



Tailor Made

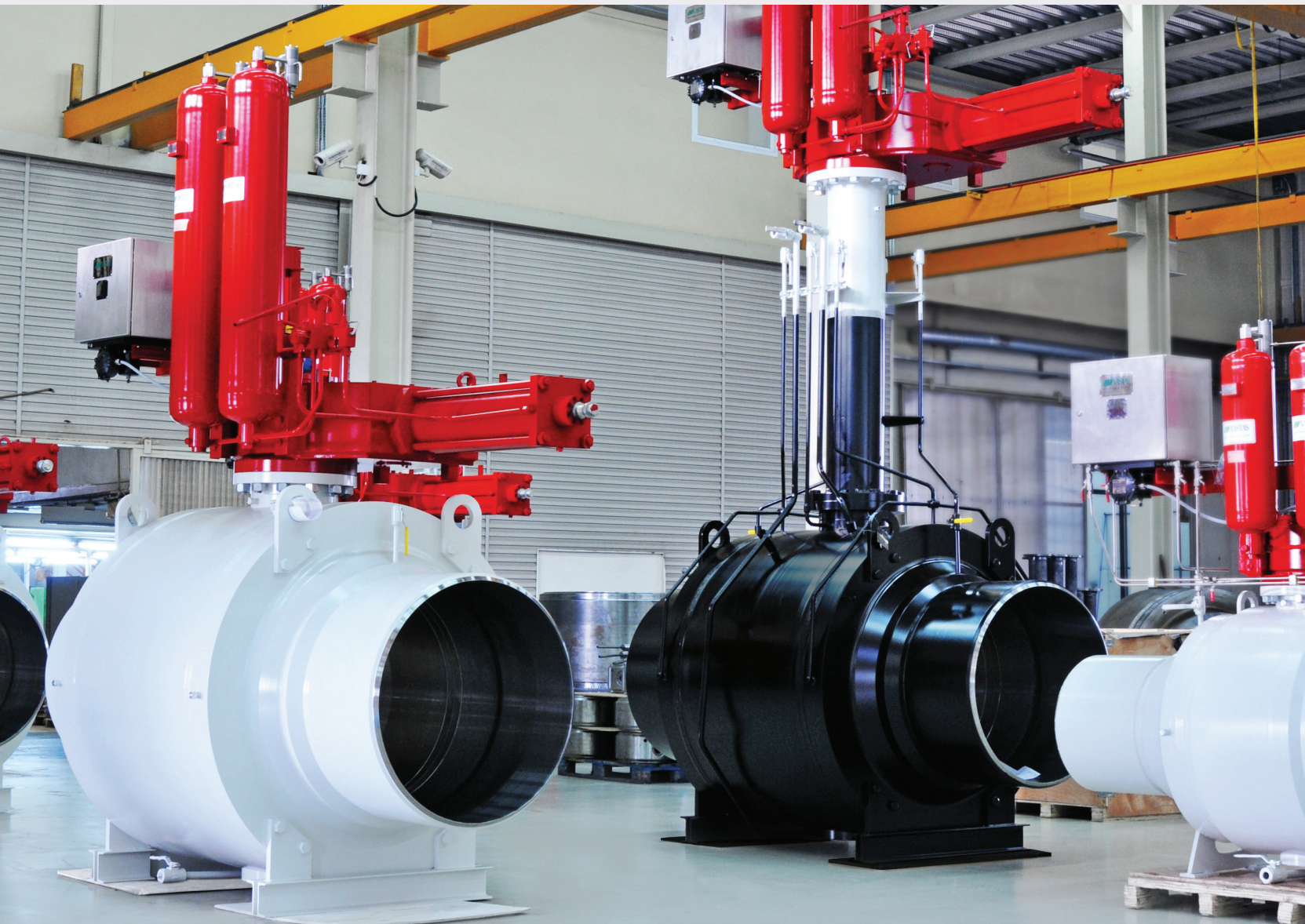
As a designing and manufacturing
company we are not limited with the
product range, we offer tailor made
valve and actuator solutions as well.



Hydraulic & Pneumatic Actuators

ASME U-Stamp, Safety Integrity Level
(SIL) Certified, ATEX, PED

BALL VALVES



FULL WELDED BALL VALVES

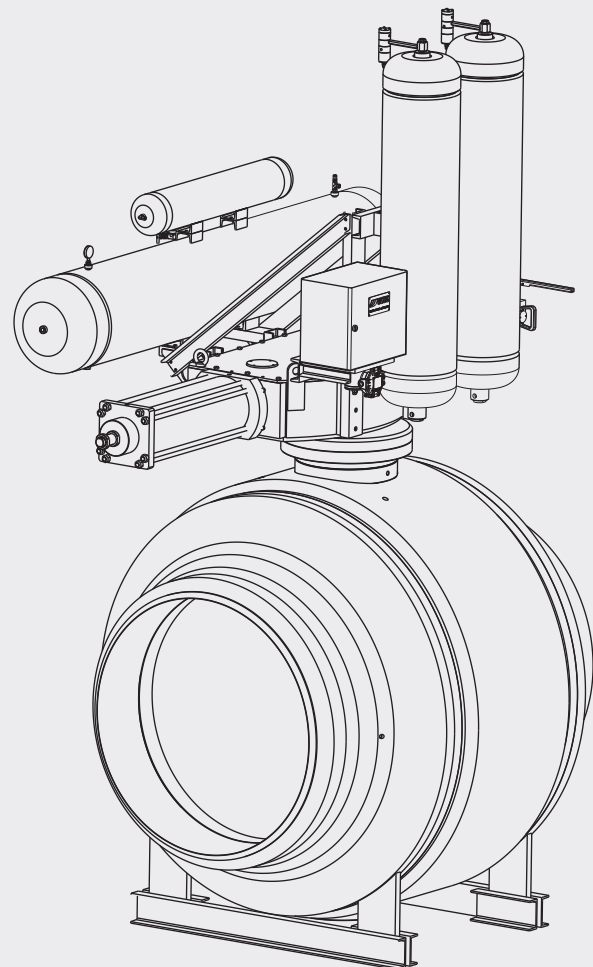
These types of valves are mostly forged steel. The body of valve is constructed by welding of all parts except stem housing. No sealing elements are used which might cause leakage through. Inspection and maintenance of such valves may be executed on live line.

SIL certified. When required it can be manufactured from special material according to NACE corrosion standards and/or temperature class.

E60M Full Welded Forged Steel Ball Valves **NPS 2"-60" | DN 50-1500 |** **CLASS 150-1500# | STD API 6D**

They are especially used in Natural Gas & Crude-Oil Pipelines for above and underground applications. Generally used between -46°C up to 120°C.

It can be manufactured with various materials, PSL2 level can be obtained upon request.



TOP ENTRY BALL VALVES

These types of valves are being used for Natural Gas and Crude Oil Pipelines, NG Pipeline Pig Stations, Compressor and Measuring Stations, RMS Pressure Regulating and Measuring Stations for above & underground applications. Generally used between -46°C up to 100°C. PSL2 level can be obtained upon request and it can be manufactured with various materials.

SIL certified. When required it can be manufactured from special material according to NACE corrosion standards and/or temperature class.

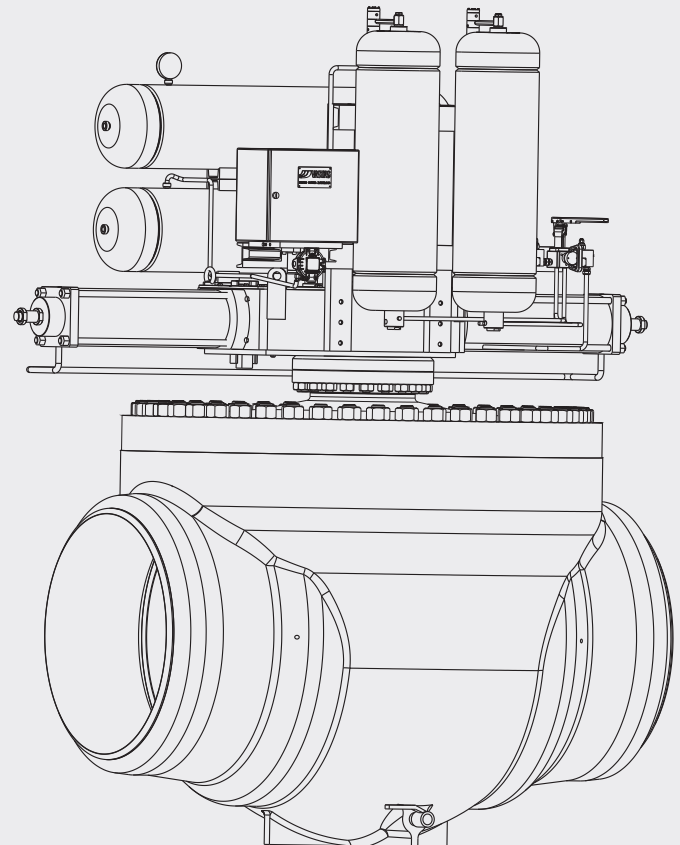
E60T Top Entry Ball Valves

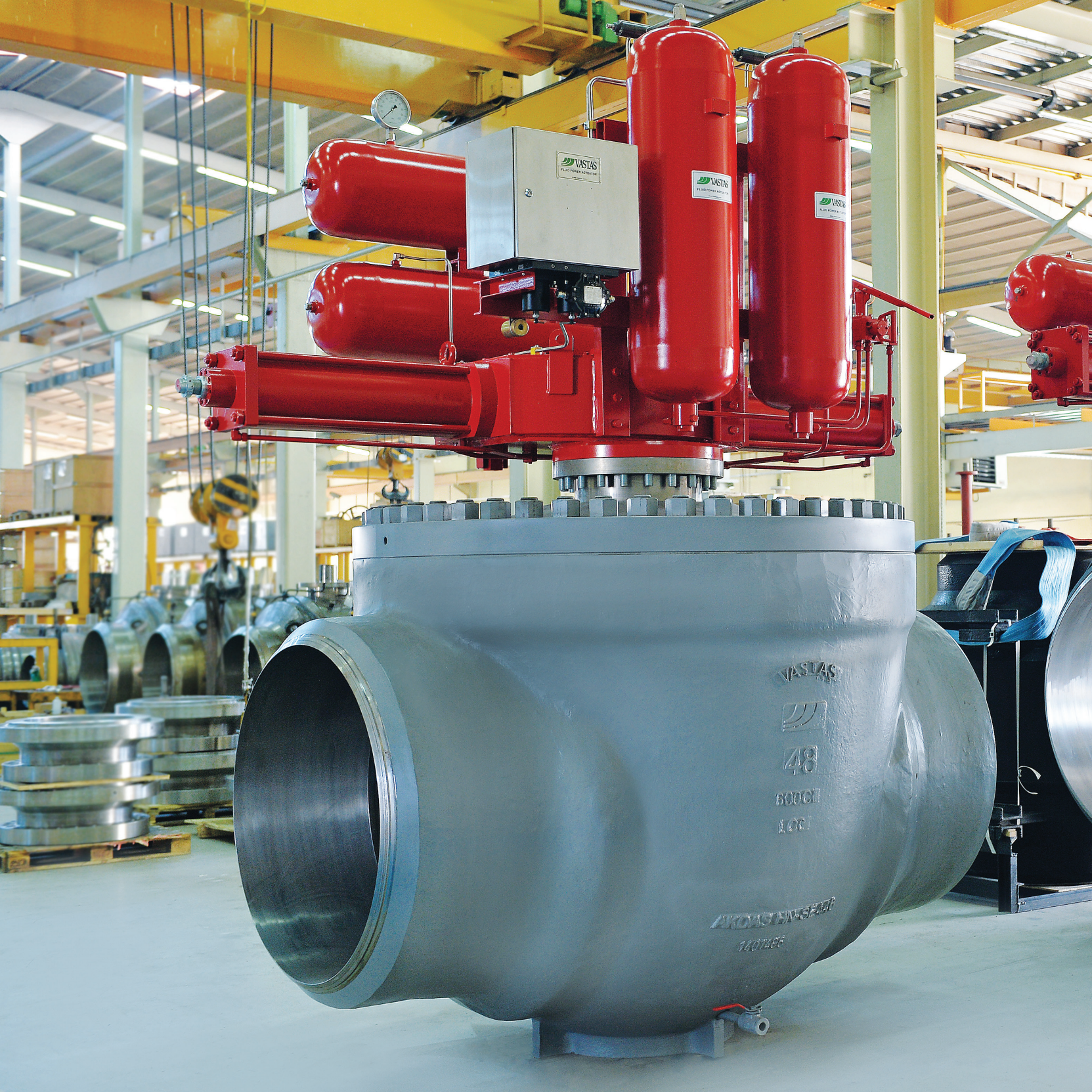
NPS 3"-48" | DN 80-1200 |

CLASS 150-1500# | STD API 6D

Top Entry Ball Valves are mainly used in pipelines. It is directly connected to the pipeline by welding.

Although the general features are same with Full Welded or Split Body Ball Valves, the biggest difference is that the ball can get in or get out from the top of the valve which makes it possible to carry out maintenance, repair and to replace spare parts without removing the valve from pipeline. Other features are similar with Full Welded and Split Body Ball Valves.





VASTAS
FLUID POWER FACTORY

VASTAS
FLUID POWER FACTORY

VASTAS
FLUID POWER FACTORY

VASTAS



48

B0001

100

AKOASTANSEIT

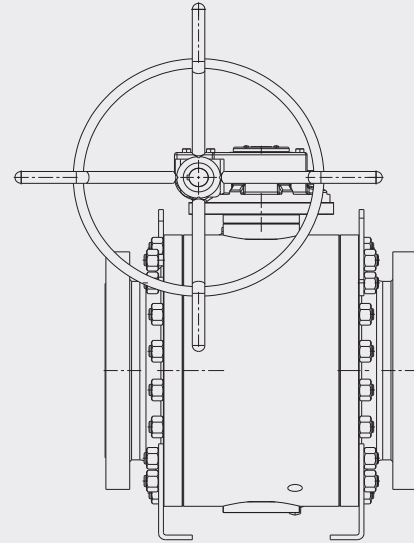
140766

SPLIT BODY BALL VALVES

Split Body Ball Valves are made from forged steel with flanged connections.

The body of valve is constructed by welding of all parts except stem housing. No sealing elements are used which might cause leakage through. Inspection and maintenance of such valves may be executed on a live line.

SIL certified. When required it can be manufactured from special material according to NACE corrosion standards and/or temperature class.



E601 Split Body Ball Valves – Forged, DBB

NPS 2"–56" | DN 50–1400

CLASS 150–2500# | STD API 6D

This type of valves are being especially used as line valve in Natural Gas and Crude Oil Pipelines, Pig Stations, Compressor and Measuring Stations and Pressure Regulating and Metering Stations (RMS), Pumping Stations and Loading Terminals.

When required, it can be manufactured specially for Sea Water, Waste Water, Mineral Mud (Slurry) by using suitable material in accordance to NACE Corrosion Standards.

Generally it is used between -46°C up to 100°C. It can be manufactured with various materials upon request and PSL2 level can be obtained.

E603 Split Body Ball Valves – Forged, DBB, Triple Seat Type

NPS 2"–56" | DN 50–1400

CLASS 150–600# | STD API 6D

This is same type with E601 (our standard split body ball valve) but It's seat design is patterned and manufactured as triple seat and it's features are as follows;

- firstly it has PSSM type double piston effect ring
- secondly it is supported with PSSM type self relief (single piston effect) ring
- finally with the sealent between the both seat rings, the leak-proof ring is provided

This feature prevents the contamination damages.

OTHER BALL VALVES

E60L Full Welded Ball Valve – Triple Seat Type

NPS 2"–56" | DN 50–1400 | CLASS 150–1500# | STD API 6D

E607 Floating Ball Valve

NPS 2"–8" | DN 50–200 | CLASS 150–300# | STD API 6D, API 608



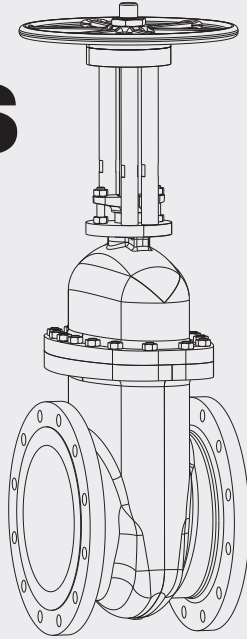
VASTAS
FLUID POWER ACTUATOR

1. Model
2. Serial Number
3. Year of Manufacture
4. Weight
5. Dimensions
6. Material
7. Pressure Rating
8. Flow Capacity
9. Connection Type
10. Actuator Type
11. Control Signal
12. Installation Instructions
13. Maintenance Instructions
14. Safety Instructions
15. Warranty Information

VASTAS

EUR

GATE VALVES



WEDGE GATE VALVES

Vastas Wedge Gate Valves are API 600 licensed. They are preferred as closure (shut-down) valves.

Upon request it can be manufactured in bigger sizes and from various materials. Custom-made wedge gate valves are manufactured to meet the requirements for high-pressure water, sea-water and waste water systems.

SIL certified. When required it can be manufactured from special material according to NACE corrosion standards and/or temperature class.

E500 Cast Steel Wedge Gate Valve
NPS 2"-72" | DN 50-1800 |
CLASS 150-2500# | STD API 600

E50F Wedge Gate Valve – Pressure Seal Bonnet Type
NPS 3"-16" | DN 80-400 |
CLASS 900-2500# | STD ASME B16.34



CONDUIT GATE VALVES

Vastas Conduit Type Valves are API 6D licensed. They are suitable as line valves. Like Ball Valves they have DBB, FB, ASD, FSD, SLS, ESL features. They are suitable for pig transmission too. They can be used both for above ground and under ground applications.

It can be used as an isolating valve in pig loading-unloading platforms, in pump or compressor & in RMS stations, storage and distribution terminals.

SIL certified. When required it can be manufactured from special material according to NACE corrosion standards and/or temperature class.

E50B Through Conduit Slab Gate Valve

NPS 2"-72" | DN 50-1800

CLASS 150-900# | STD API 6D

E50D Through Conduit Double Expanding Gate Valve

NPS 4"-36" | DN 100-900

CLASS 150-600# | STD API 6D

E50P Through Conduit Gate Valve

Pressure Seal Bonnet Type

NPS 4"-24" | DN 100-600

CLASS 900-2500# | STD API 6D

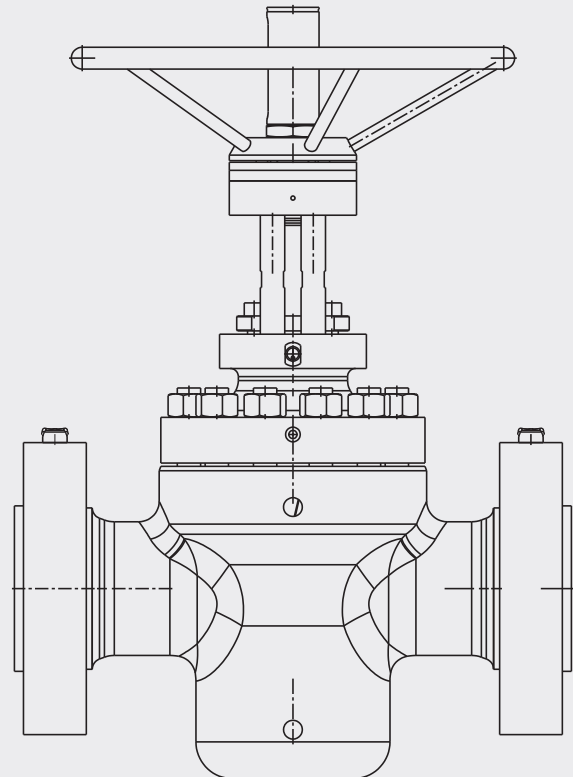
API 6A GATE VALVES

This type is designed for wellhead and pipeline needs. It has conduit features. It can be used with hydraulic control and self-acting.

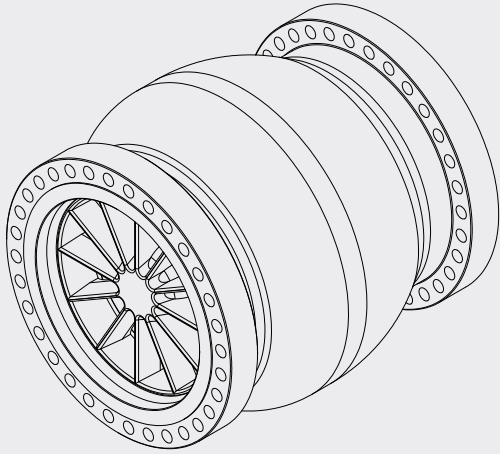
E50A Expanding or Slab Gate Valve

NPS 2"-13" | DN 50-350 |

CLASS 3000-5000-10000# | STD API 6A



CHECK VALVES



This is a non-return type valve for preventing back flow.

It works automatically according the flow direction, upon request, controlled operation is an available option through additional device.

When required it can be manufactured from special material according to NACE corrosion standards and/or temperature class.

E400 Swing Check Valve

NPS 2"-48" | DN 50-1200

CLASS 150-2500# | STD API 6D

E40D Dual Disc Check Valve

NPS 2"-48" | DN 50-1200

CLASS 150-600# | STD API 6D

E40N Nozzle Check Valve – Axial Type

NPS 2"-48" | DN 50-1200

CLASS 150-600# | STD API 6D



PLUG VALVES

Plug Valve is an auxiliary valve used in opening and throttling of high pressurized systems. It is used as by-pass to the line valve; it balances the pressure and provides the safe opening of line valve.

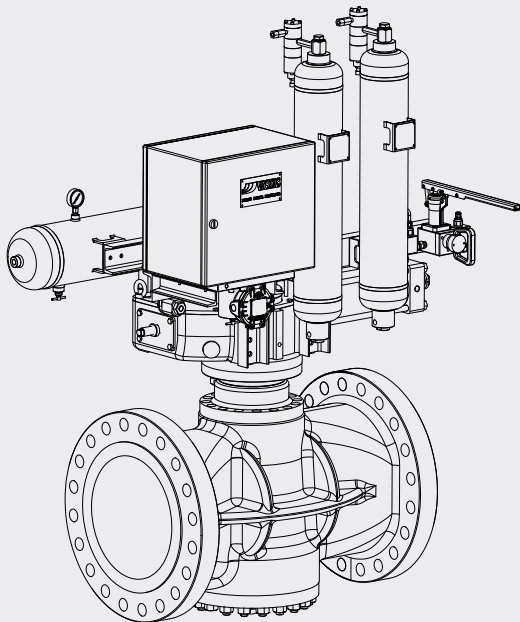
Plug valves have a conical or cylindrical obturator rotating around the axis perpendicular to the flow direction.

When required it can be manufactured from special material according to NACE corrosion standards and/or temperature class.

E100 Pressure Balance Plug Valve

NPS 2"-30" | DN 50-750

CLASS 150-600# | STD API 6D



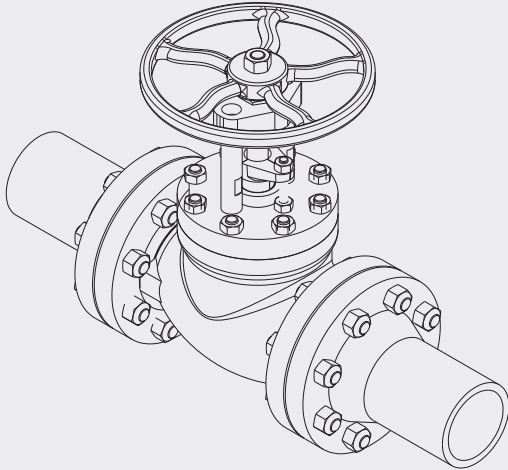
OTHER PLUG VALVES

WEDGE PLUG VALVES

E10D Wedge Plug Valve, Nonlubricated – Full-bore

NPS 6"-24" | DN 150-600 | CLASS 600# | STD API 6D

GLOBE VALVES

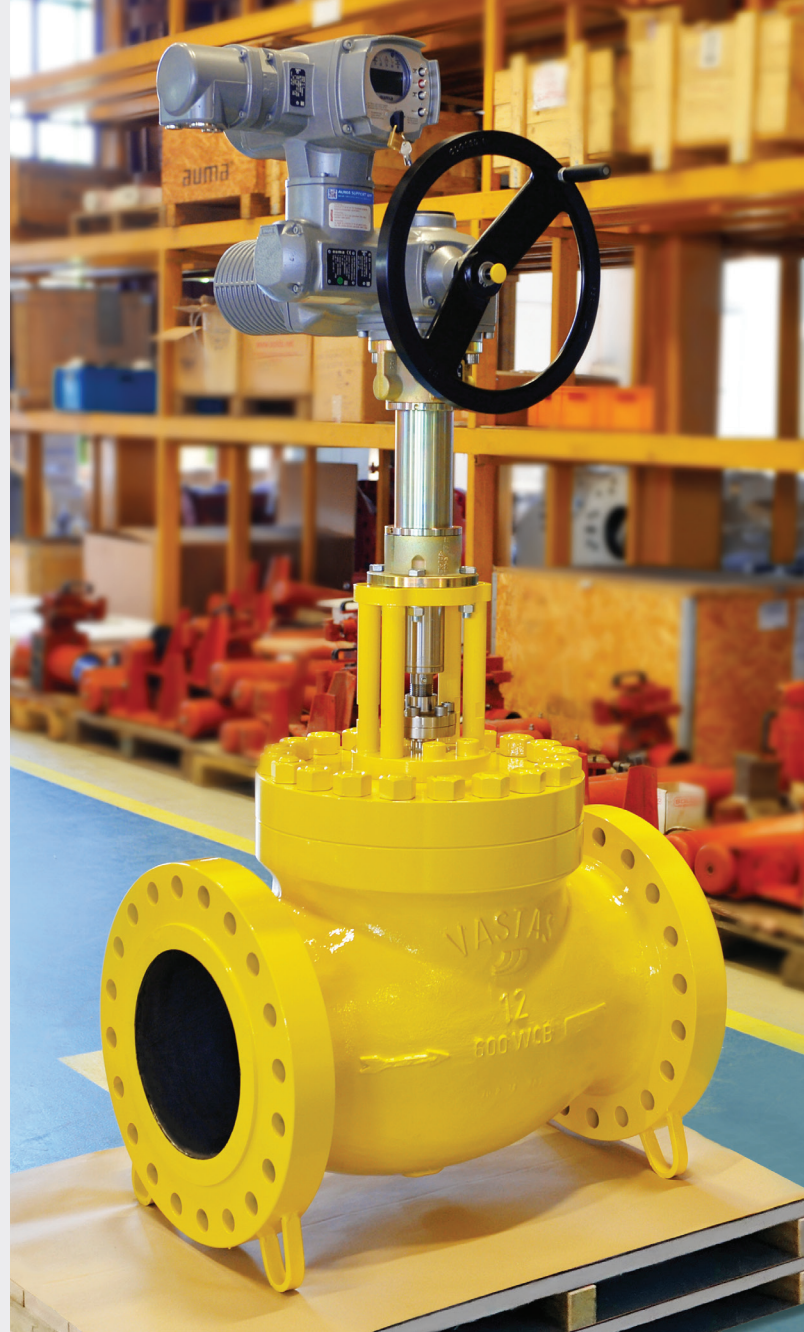


Vastas Globe Valves are commonly used for flow control. They are used for regulating and throttling at various pressures or flow rates and can suit to lines with frequent on/off operations. This type is not a closure valve.

The advantage of Globe valves is; they operate smoothly even during sudden opening/closing operations at the line. They are not affected by shocks and vibrations created by the flowing fluid. They do not generally require by-pass systems

SIL certified.

When required, it can be manufactured from special material according to NACE corrosion standards and/or temperature class. Standard production includes 2" - 16" different size and types are also available as tailor made production and can be manufactured upon request.



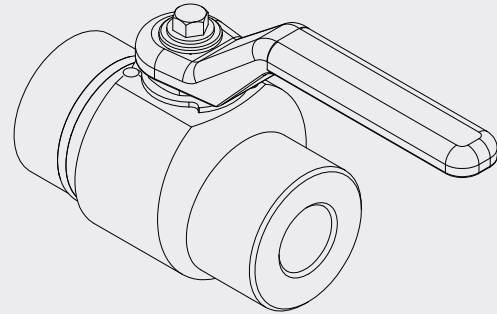
E300 **Globe Valve – Plug-Ball Disc**
NPS 2"-16" | DN 50-400 | CLASS 150-1500# | STD BS 1873

E30C **Globe Type Control Valve**
NPS 2"-16" | DN 50-400 | CLASS Flanged:150-1500# WeId End:900-2500# | STD BS 1873

FORGED VALVES

FORGED BALL VALVES

- E604** Full Welded Ball Valve – Floating with Cap/Lever Underground Type
NPS 1/2"–3" | DN 15–80
CLASS 150–1500# | STD ISO 17292, API 608
- E60K** Full Welded Floating Ball Valve – Forged
NPS 1"–4" | DN 25–100
CLASS 150–600# | STD API 6D, API 608
- E60T** Top Entry Ball Valve – Floating Type
NPS 1/2"–2" | DN 15–100
CLASS 150–1500# | STD API 608



API 602 GATE VALVES

- E504** Gate Valve Bolted Bonnet – Rising Stem
NPS 1/2"–2" | DN 15–50
CLASS 150–800# | STD API 602, BS 5352
- E505** Gate Valve Bolted Bonnet – Rising Stem
NPS 1/2"–2" | DN 15–50
CLASS 150–1500# | STD API 602, BS 5352

API 602 CHECK VALVES

- E404** Check Valve, Lift, BB, Plug type Disc – Welded Integral Body Seat
NPS 1/2"–2" | DN 15–50
CLASS 150–1500# | STD API 602, BS 5352

FORGED PLUG VALVES

- E104** Plug Valve, Inverted Plug – Lubricated
NPS 1/2"–2" | DN 15–50
CLASS 150–1500# | STD API 599

API 602 GLOBE VALVES

- E304** Globe Valve, BB, Plug Type Disc – Weld Integral Body Seat
NPS 1/2"–2" | DN 15–50
CLASS 150–1500# | STD API 602, BS 5352
- E305** Globe Valve, Bolted Bonnet – Plug Type Disc
NPS 1/2"–2" | DN 15–50
CLASS 150–1500# | STD API 602, BS 5352

TAILOR MADE

As a designing and manufacturing company we are not limited with the product range, we offer tailor made valve and actuators solutions as well. Some of the tailor made valves are below:

E804 Goggle Valve

NPS 12"-120" | **DN** 300-3000 |

WORKING PRESSURE 50 mbar-1500 mbar

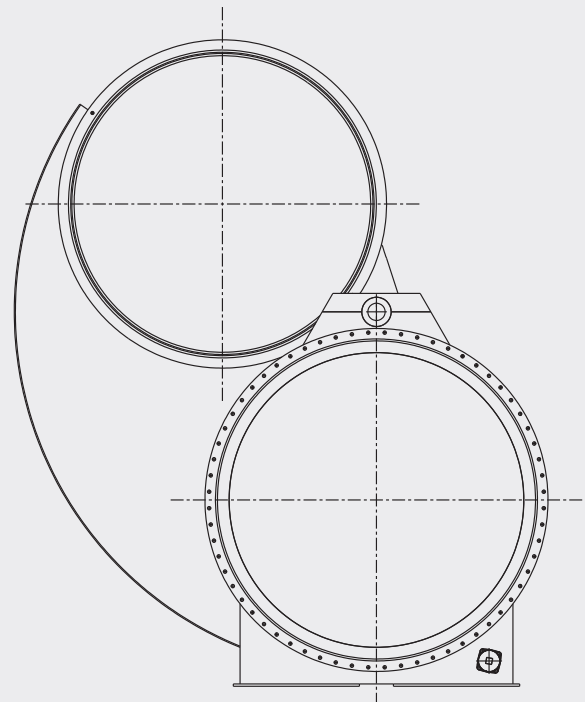
These type of valves are used for the isolation of downstream flow. They are typically used in 12" (DN300) to 120" (DN3000) diameter lines. They provide %100 'man-safe' shut-off.

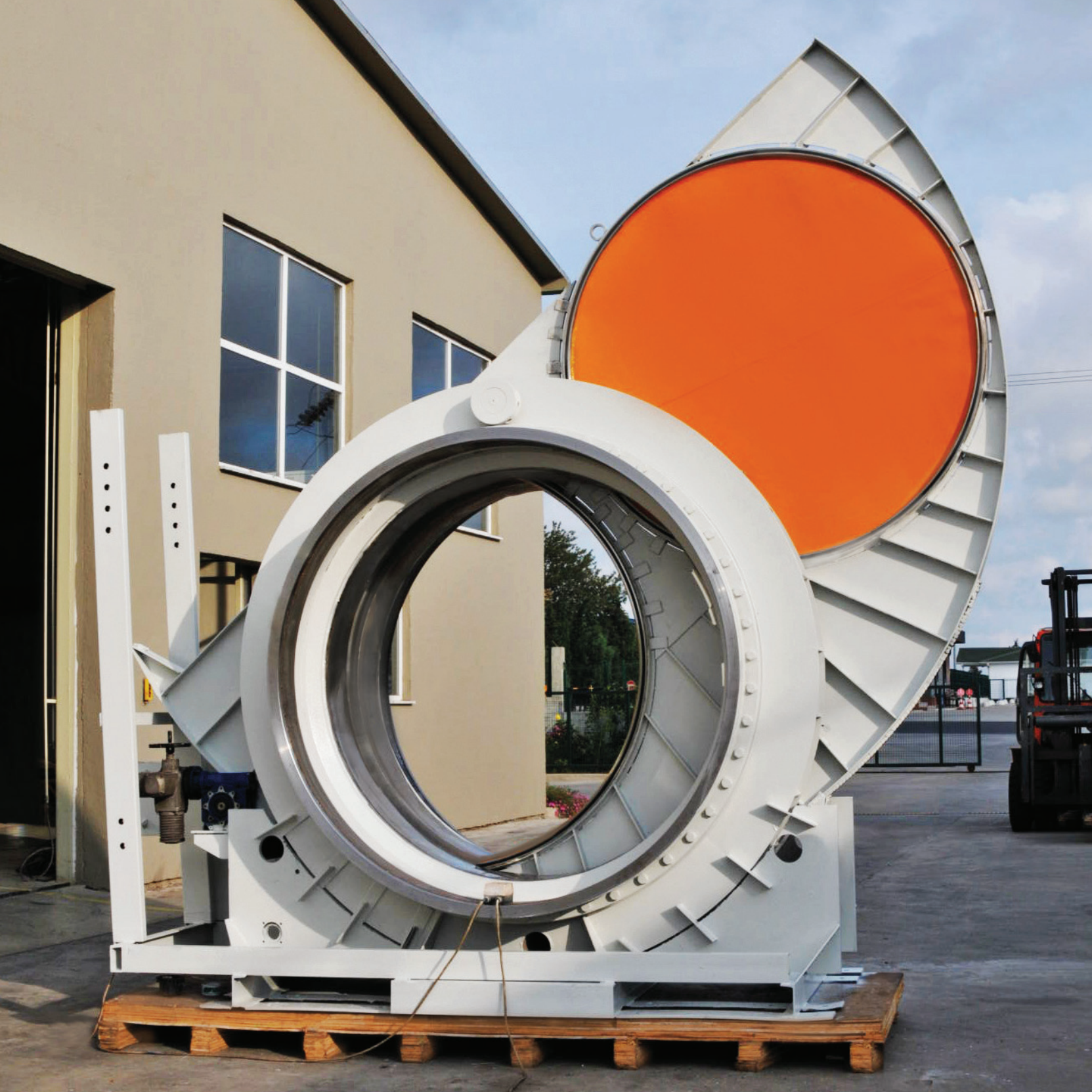
Goggle valves are frequently found in the petrochemical, steel and oil industries. Commonly used applications are furnace gas and coke gas lines.

E701 Strainer

NPS 4"-32" | **DN** 100-800 | **CLASS** 150-1500#

Strainers are produced from cast steel body. The flow is conveyed inside the body and basket screen where particles larger than the mesh are captured meanwhile the flow passes through the screen and returns to pipeline. Strainers are used in crude oil pipeline, gas stream applications, sea water, hot water and saturated water pipelines.







VASTAS

www.vastat.com

VASTAS

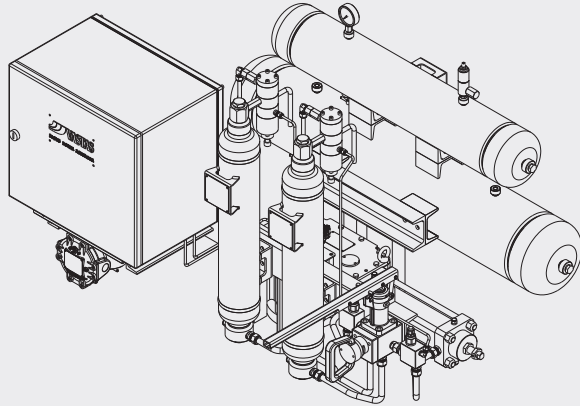
www.vastat.com

VASTAS

www.vastat.com

←
L10271

ACTUATORS



PNEUMATIC ACTUATORS

Working Pressure : Up to 12 Bar

Temperature range of -29°C to +80°C.
(-49°C upon request)

Linear Pneumatic Actuators

These are used for automation of Globe, Gate and Control Valves by means of pneumatic piston. Opening and closing of valve obturator are maintained by pneumatic power. Control devices for such actuators are designed depending on application fields. Spring Return or Double Acting types of Linear Pneumatic Actuators are available, too.

Quarter Turn Pneumatic Actuators

Vastas prefers the Quarter Turn Actuators with canted scotch yoke mechanism, which provides torque advantage when critical torques are required. They may be designed & produced as Spring Return or Double Acting Type.

HYDRAULIC ACTUATORS

Working Pressure: Up to 350 Bar

Temperature range of -29°C to +80°C.
(-60°C upon request)

Linear Hydraulic Actuators

These are used for automation of Globe, Gate and Control Valves by means of hydraulic piston. Opening and closing of the valve, obturator are maintained by hydraulic power. Control devices for such actuators are designed depending on application fields. Spring Return or Double Acting types of Linear Hydraulic Actuators are available, too.

Quarter Turn Hydraulic Actuators

Vastas prefers the Quarter Turn Actuators with canted scotch yoke mechanism, which provides torque advantage when critical torques are required. Open/close motions of valve is provided by hydraulic piston power and spring power. Close with spring or open with spring types are manufactured. When high torque is required, they may be produced as double acting. They have a smaller piston diameter but higher pressure output than similar pneumatic actuators.

Gas Over Hydraulic Actuators

These are designed for usage in Natural Gas Pipelines, working with line pressure. They can automatically operate under each weather condition where no personnel and electric energy are present. Various types are offered depending on application, pressure fluctuation, climate and field conditions, etc.

Electro Hydraulic Actuators

Electro Hydraulic Actuators with canted scotch yoke mechanism, which provides torque advantage when critical torque is required and may be produced as double acting. Alternative energy sources can be added upon request. They can operate using the energy, collected in the reservoir tanks.

ACTUATORS

Quarter Turn Actuators / **G**
Linear Actuators / **A**

USAGE AREAS

Pipelines, Iron & Steel, Energy Facilities, Drinking Water Lines,
Compressor Stations, Pumping Stations, Pressure Reducing Station

GENERAL FEATURES

Local & Remote Control (Standard), ESD, Emergency Reservoir,
Partial Stroke Test (Optional)

GN | Pneumatic Single Acting Spring Return **AN** | Fail Open Actuator

- Working Pressure Max. Up to 16 Bar (Air, Nitrogen, NG)
- Exproof Protection
- IP Protection
- -29 °C to +80 °C Working Temperature
- 24, 48, 110, 220 V AC/DC Control Voltage
- Optional Manual Hand Wheel or Gearbox

GF | Electro Hydraulic Single Acting **AF** | Spring Return Fail Open Actuator

- Working Pressure: Up to 350 Bar, Hydraulic Oil
- Standard 400 VAC Energy Supply
- Working in different voltage supplies is optional
- Exproof Protection
- IP Protection
- 24, 48, 110, 220 AC/DC Control Voltage
- -29 °C to 80 °C Working Temperature
- Manual Hand Wheel or Gearbox connections and Manual Hand Pump is optional
- Works through the actuator or external Hydraulic Power Pack

GI | High Pressure Gas Double **AI** | Acting Actuator System

- Working Pressure: Up to 120 Bar
- -29 °C to +80 °C Working Temperature
- -60 °C Working Temperature (Available upon request)
- 150-300-600 Pressure Class (Available upon request)

GC | Pneumatic Single Acting Spring Return **AC** | Fail Close Actuator

- Working Pressure: Up to 16 Bar (Air, Nitrogen, NG)
- Exproof Protection
- IP Protection
- -29 °C to +80 °C Working Temperature
- 24, 48, 110, 220 V AC/DC Control Voltage
- Manual Hand Wheel or Gearbox connections optional

GL | Electro Hydraulic Single Acting **AL** | Spring Return Fail Close

- Working Pressure: Up to 350 Bar (Hydraulic Oil)
- Standard 400 VAC Energy Supply
- Exproof Protection
- IP Protection
- Working in different voltage supplies is optional
- -29 °C to +80 °C Working Temperature
- 24, 48, 110, 220 AC/DC Control Voltage
- Manual Hand Wheel or Gearbox connections and Manual Hand Pump is optional
- Works through the actuator or external Hydraulic Power Pack

GS | Safety Shut-Off Valve & Actuator **AS** | System for High and/or Low Pressure Close

- Working Pressure: Up to 112 Bar
- -29 °C to +80 °C Working Temperature
- -60 °C working temperature (Available upon request)
- 150-300-600 Pressure Class (Available upon request)

GT | Tandem Pneumatic & Manual Hydraulic
AT | Double Acting Actuator

- Working Pressure Hydraulic: Hydraulic Oil, Pneumatic Up to 16 Bar Air, Nitrogen, NG
- Manual Hand Pump, Hand-wheel or Gearbox connection possible.
- Standard 400 VAC Energy Supply
- Working in different voltage supplies is optional
- Exproof Protection
- Works through the actuator or external Hydraulic Power Pack
- -29 °C to +80 °C Working Temperature
- 24, 48, 110, 220 AC/DC Control Voltage
- IP Protection

GD | Double Acting Hydraulic Linear or
AD | Quarter Turn Hydraulic Actuators

- Working Pressure: Up to 350 Bar
- Hydraulic Oil
- Working in different voltage supplies is optional
- Manual Hand Pump
- Exproof Protection
- IP Protection
- -29 °C to +80 °C working temperature
- 24, 48, 110, 220 V AC/DC Control Voltage
- Works through the actuator or external Hydraulic Power Pack
- -60 °C Working Temperature (Available upon request)

GK | High Pressure Gas Single Acting
AK | Spring Return Fail Close Actuator

- Working Pressure Max. Up to 120 Bar (Nitrogen, NG)
- Exproof Protection
- IP Protection
- -29 °C to +80 °C Working Temperature
- 24, 48, 110, 220 V AC/DC Control Voltage
- Optional Manual Hand Wheel or Gearbox

GO | Gas Over Hydraulic Actuator
AO

- Working Pressure: Up to 120 Bar
- -29 °C to +80 °C Working Temperature
- -60 °C Working Temperature (Available upon request)
- It can be used as Line Break System
- It can be used as Emergency Shut Down System
- 24, 48, 110, 220 V AC/DC Control Voltage

GP | Pneumatic Double Acting Actuator
AP

- Working Pressure: Up to 16 Bar (Air, Nitrogen, NG)
- Exproof Protection
- IP Protection
- -29 °C to +80 °C Working Temperature
- 24, 48, 110, 220 V AC/DC Control Voltage
- Optional Manual Hand Wheel

GM | Manual Hydraulic Double
AM | Acting Actuator

- Works with Manual Hand Pump
- Exproof Protection
- IP Protection
- Works with Manual Handwheel Manual Gearbox
- -29 °C to +80 °C Working Temperature

GR | High Pressure Gas Single Acting Spring
AR | Return Fail Open Actuator

- Working Pressure Max. Up to 120 Bar (Nitrogen, NG)
- Exproof Protection
- IP Protection
- -29 °C to 80 °C Working Temperature
- 24, 48, 110, 220 V AC/DC Control Voltage
- Optional Manual Hand Wheel or Gearbox



ALL VALVE SERVICES

Vastas offers full valve and actuator services at your site and our site.

Service activity is one of the key factors, which lead up to the current success of Vastas. It helps to precisely measure the product performance, identify the challenges, offer solutions, and highly extend the performance and the economical life of the product.

Vastas' service history dates back to late 1930s. Today, the after-sales service team consists of Level 1 & 2 Qualified engineers and foremen, ready to provide service 24/7.

Vastas offers periodic maintenance and inspections on site to reduce the operating costs & increase operation life of valve and valve operators, and it is not limited with own brand or product range. The service is given to all valves and actuators.



**All
Brands
All
Valves**

- Assembly of valve to the line
- Calibration & Adjustment
- Certification
- Cleaning & Painting
- Sandblasting & Coating (only at Vastas site)
- Control, Inspection & Adjustment Services of Actuators
- Emergency Support Service
- Equipment Analysis and Reporting (only at Vastas site)
- Inspection Measure Control, Damage Assessment & Reporting (only at Vastas site)
- Hydrostatic Test Services (1/2" 100" , 150# 2500#)
- New Configuration & Upgrade (only at Vastas site)
- Periodic Maintenance for Natural Gas & Crude Oil Valves
- Preventive Maintenance
- Renewal & Rehabilitation
- Repair
- Safety Valve Maintenance & Calibration
- Sealants & Consumables for Maintenance & Operation
- Spare Part Supply & Replacement
- Test & Inspection
- Wall Thickness Measurement & Reporting
- Welding and NDT Services

EUROPE

Bulgaria		Hungary		Romania	
Belgium		Italy		Spain	
Croatia		Latvia		Switzerland	
Czech Republic		Malta		Sweden	
Denmark		Macedonia		Turkey	
France		Norway			
Germany		Poland		Ukraine	
Greece		Portugal		United Kingdom	



PIPELINE



REFINERY



TANK STORAGE



POWER PLANT



FPSO



IRON & STEEL FACILITIES



WATER WORKS



RMS

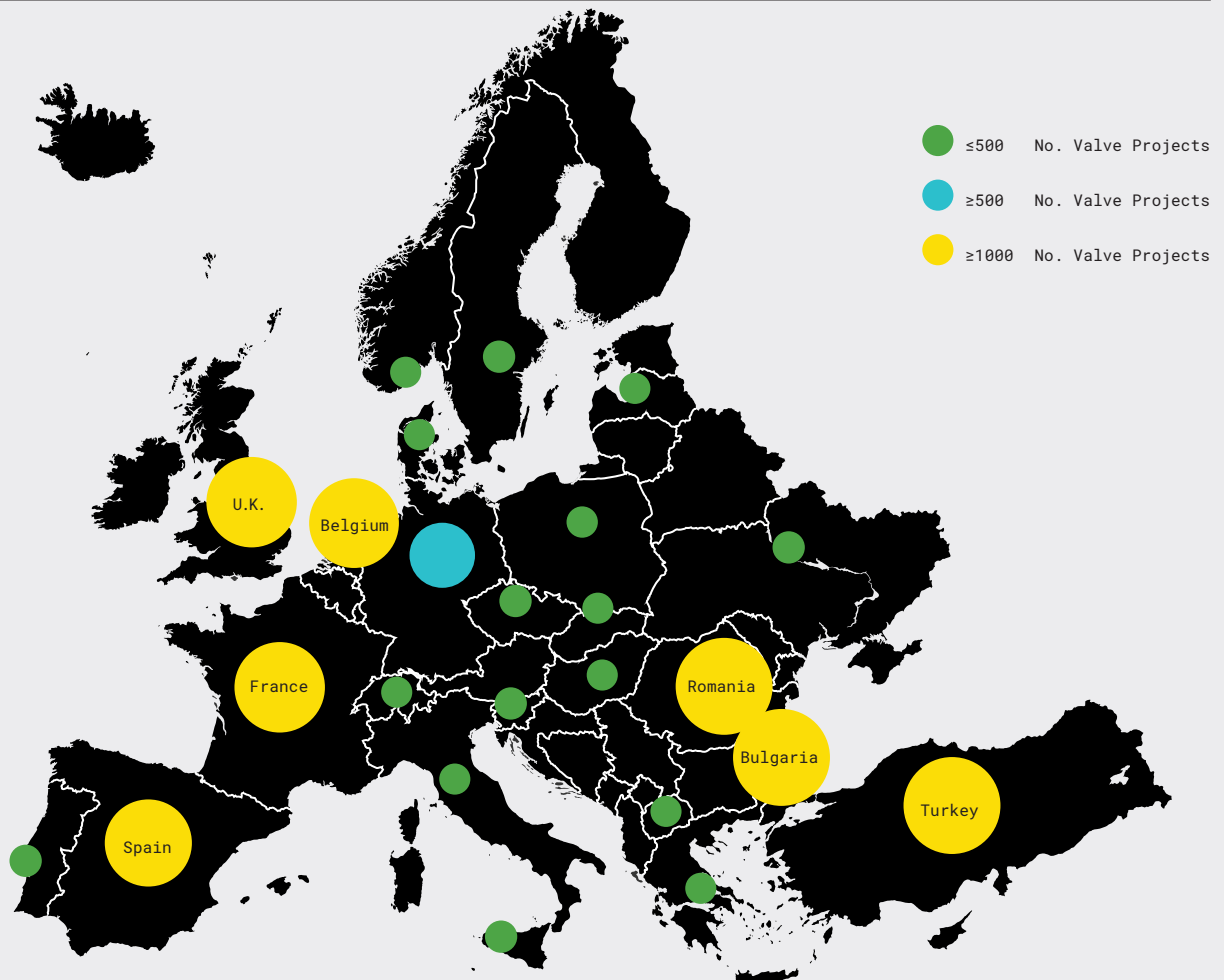


MARINE TERMINAL



MARINE OFFSHORE

OUR REFERENCES IN THE REGION



AFRICA

Angola



Libya



South Africa



Algeria



Malawi



Sudan



Egypt



Mali



Tunisia



Ivory Coast



Morocco



Kenya



Nigeria



PIPELINE



REFINERY



TANK STORAGE



POWER PLANT



FPSO



WATER WORKS

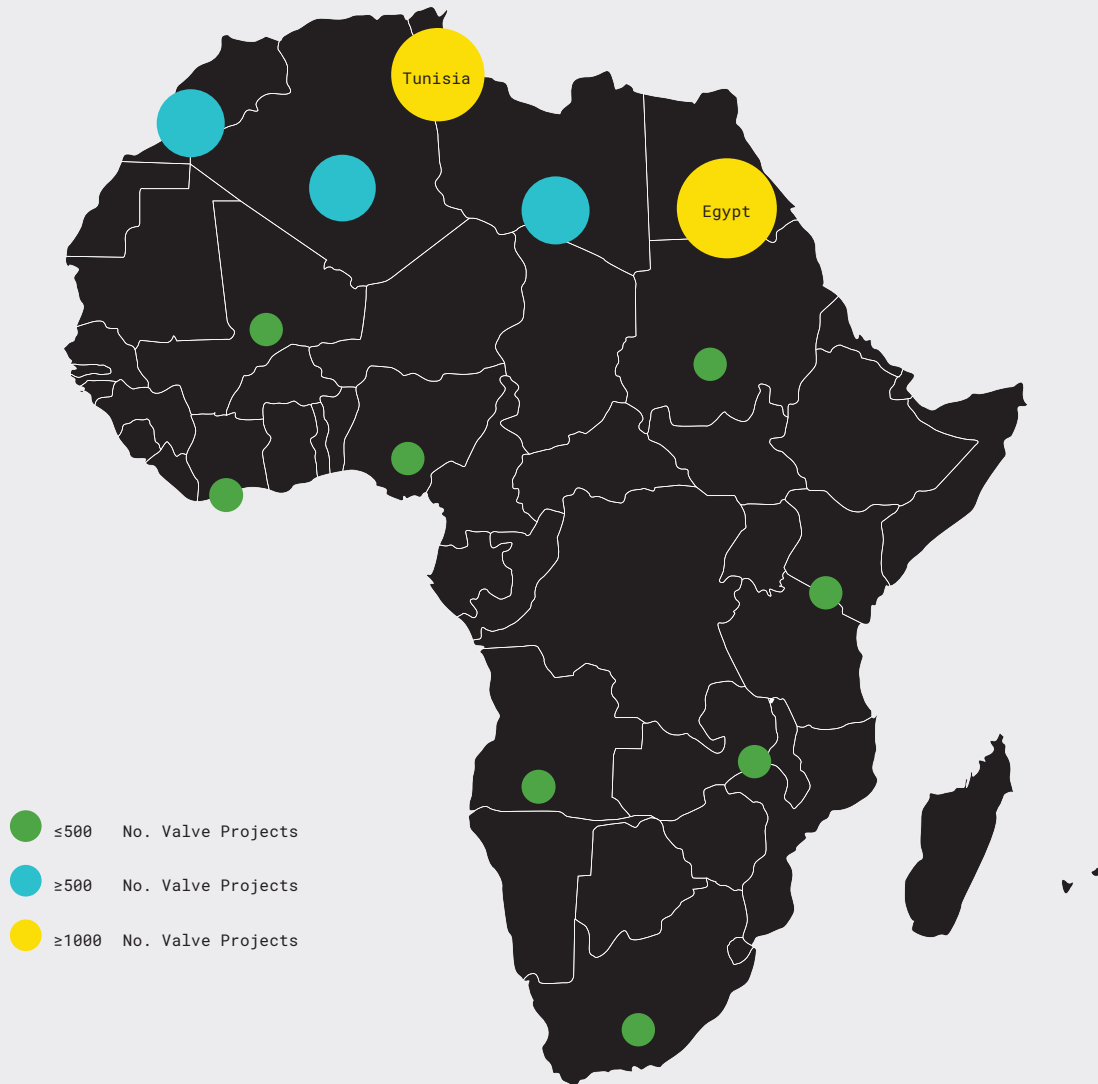


MINE



MARINE OFFSHORE

OUR REFERENCES IN THE REGION



WORLDWIDE VASTAS NETWORK

ASIA & MIDDLE EAST

Afghanistan



Jordan



Turkmenistan



Azerbaijan



Kazakhstan



United Arab Emirates



Georgia



Kuwait



Uzbekistan



Indonesia



Malaysia



Qatar



Iraq



Oman



Vietnam



Israel



Pakistan



Saudi Arabia



PIPELINE



REFINERY



TANK STORAGE

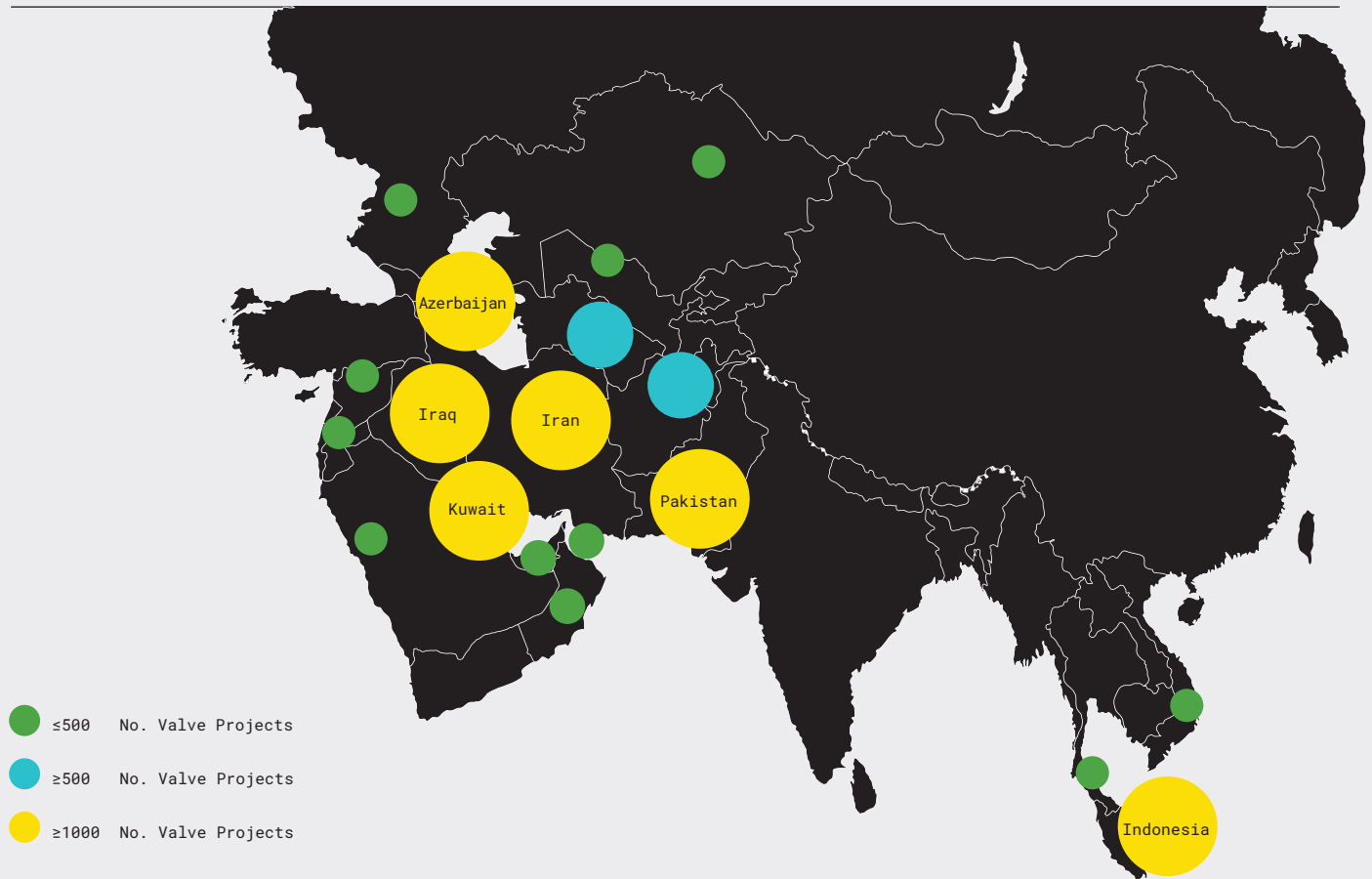


POWER PLANT



WATER WORKS

OUR REFERENCES IN THE REGION



WORLDWIDE VASTAS NETWORK

SOUTH AMERICA

ARGENTINA



URUGUAY



COLOMBIA



VENEZUELA



BOLIVIA



PIPELINE



REFINERY



TANK STORAGE



POWER PLANT



WATER WORKS

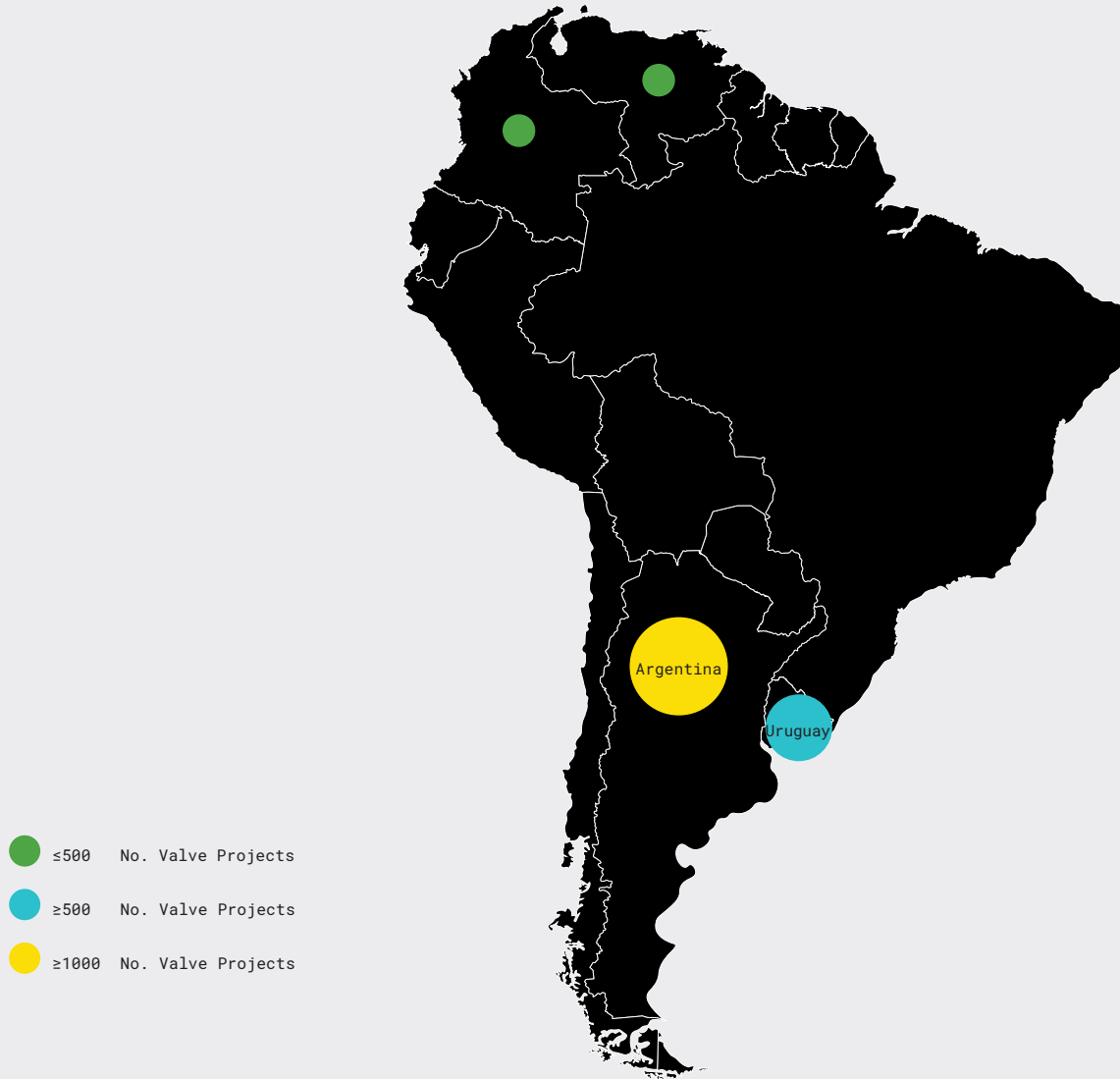


IRON & STEEL FACILITIES



NATURAL GAS PIPELINE

OUR REFERENCES IN THE REGION





VASTAŞ VALF ARMATÜR SANAYİ TİCARET A.Ş.

Manufacturing Plant & Office

Organize Sanayi Bolgesi 2. Cad. No:22

Cerkezkoy 59500

Tekirdag — Turkey

T:+90 282 758 36 50

F:+90 282 758 36 59

Istanbul Office

Perpa Ticaret Merkezi, Kat-13, A-1977

Okmeydani, Sisli 34384

Istanbul — Turkey

T: +90 212 221 39 81

F: +90 212 222 63 59

www.vastas.com



Scan this code
to access
our website

