



800 Class **STRAINER** PN150
Y Type, Forged Steel BOLTED COVER

Figure

E704.12



DIMENSIONS & WEIGHT of E704

NPS inc.	DN mm	SW mm	B mm	L mm	Wt kg
1/2	15	21.8	10	110	
3/4	20	27.2	13	120	
1	25	33.9	13	140	
1 1/4	32	42.7	13	140	
1 1/2	40	48.8	13	170	

WORKING PRESSURE

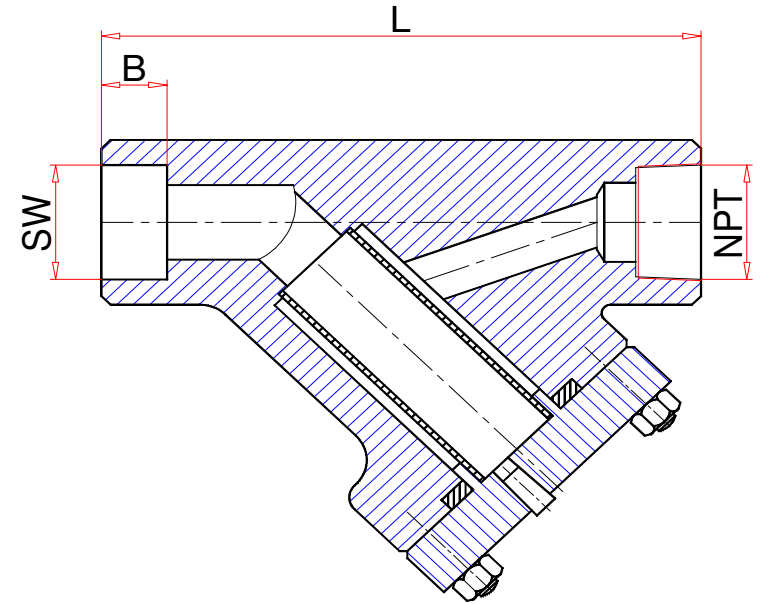
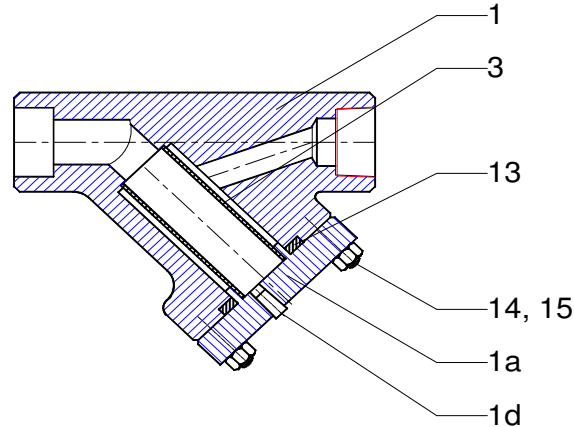
-29+38 °C	140 BAR
+425 °C	76 BAR

TEST PRESSURE

SHELL	211 BAR
-------	---------

PART LIST for Material No.12

Item	PART NAME	Symb.	material
1	Body	A105	ASTM A515
1a	Bonnet	A105	ASTM A515
1d	Drain plug	St.	Steel
3	Screen	St.St.	AISI 316
13	Gasket	SWG	GRAPHITE + 304
14	Bult	B7	ASTM A193 Gr.B7
15	Nut	2H	ASTM A194 Gr.2H



TEST STD.: API 598

FACE TO FACE STD.:ISO5752 TYPE 10 ANSI-B16.10

FLANGE FACE TYPE: ISO 7005 PN20

MAT'L ID.: A105

TRIM ID.: SS

Prep.:K.KORKMAZ

Che.:Ş.KOÇAK

Appr.:N.ERGIN

Rev.No / Date:R0 / 11.12.2006

Description:

Datasheet Nr.:E704.12

Attach.

Page&Scale:1/1 A4

Origin:DES