



API 6D & ISO 14313 STANDARD  
**Cast Steel 150 Class CONDUIT GATE VALVES PN 20**  
*Double Block & Bleed, Full Bore, Metal to Soft Seal, Bolted Bonnet, Rising Stem*

Figure

**E52.11**  
**E52.118**



**DIMENSIONS ( mm ) & WEIGHT**

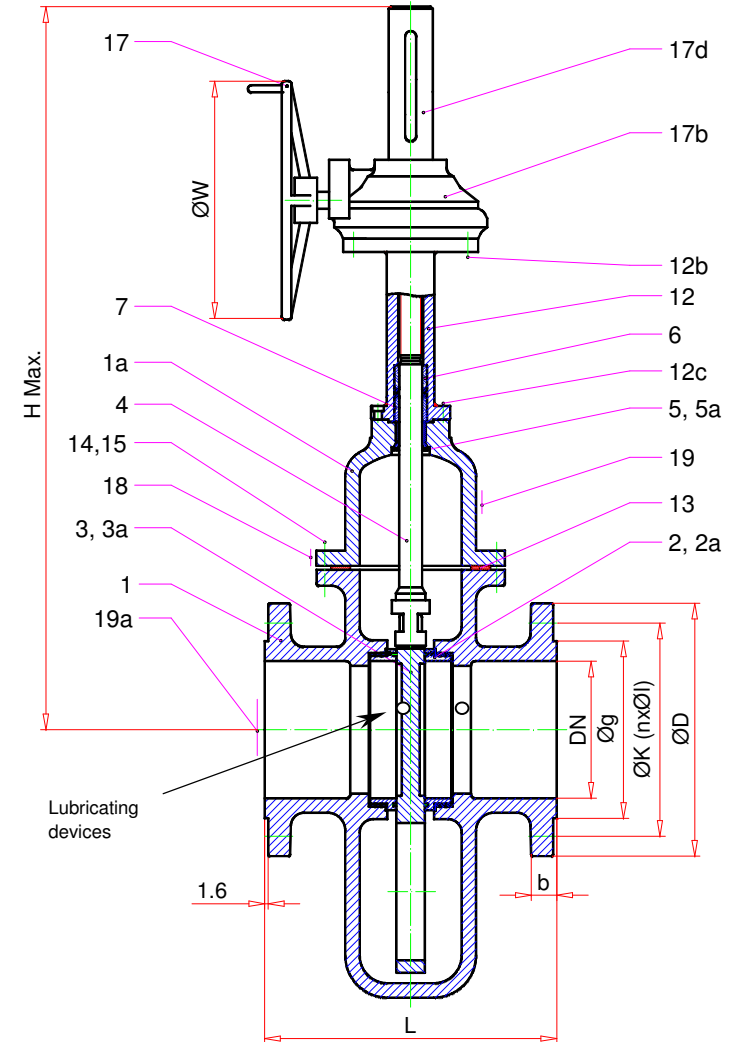
DN	D	b	g	K	n	l	L	H	W	wt	
inch. mm	mm	mm	mm	mm	no	mm	mm	mm	mm	kg	
4"	100	229	24	157	191	8	19	229	500	300	120
6"	150	280	26	216	241	8	22	267	650	300	160
8"	200	343	29	270	299	8	22	292	900	300	220
10"	250	407	30	324	362	12	26	330	1050	400	340
12"	300	483	32	381	432	12	26	356	1150	400	460
14"	350	534	35	413	476	12	29	381	1270	400	640
16"	400	597	37	470	540	16	29	406	1400	400	880
18"	450	635	40	534	578	16	32	432	1505	500	1050
20"	500	699	43	584	635	20	32	457	1700	500	1450
24"	600	813	48	692	749	20	35	508	2100	500	2150
26"	650	870	51	743	806	24	35	559	2300	600	2200
28"	700	927	52	794	864	28	35	610	2600	600	2850
30"	750	984	54	857	914	28	35	660	3000	600	3000
32"	800	1060	57	908	978	28	41	711	3300	600	3360
34"	850	1111	59	959	1029	32	41	762	3650	600	3800
36"	900	1170	62	1022	1086	32	41	813	4000	600	4200
42"	1050	1346	66	1194	1257	36	41	965	4380	600	4650
48"	1200	1511	70	1359	1422	44	41	1118	4800	600	6000

**PART LIST for Material No.18**

Item	PART NAME	Symb.	material
1	Body	A515	ASTM A515
1a	Bonnet	A515	ASTM A515
2	Body Seat Ring	ST	ASTM A515
2a	Seat Ring Face	CR13	AWS ER420
3	Gate	A515	ASTM A515
3a	Gate Seat Face	CR13+C	AWS ER420+Buna N
4	Stem	CR13	ASTM A182Gr.F6
5	Back Ring	CR13	ASTM A182Gr.F6
5a	Back Ring Face		INTEGRAL
6	Packing	TFE	TEFLON
7	Gland	CR13	ASTM A182Gr.F6
12	Yoke	ST	ASTM A515
12b	Bolt	B	ASTM A307.B
12c	Bolt	B	ASTM A307.B
13	Gasket	GRF	GRAPHITE
14	Stud Bolt	B7	ASTM A193 Gr.B7
15	Nut	2H	ASTM A194 Gr.2H
17	Handwheel	ST	STEEL
17b	Gear Box	AR	MASTERGEAR
17d	Stem Indicator	ST	STEEL
18	Name Plate	AL	ALUMINIUM
19	Paint	FBE	F 1003 LD
19a	End Cover	W	WOODEN CAP.

TEST PRESSURE	WORKING PRESSURE
Shell & Backseat	30 BAR -29+38 °C 20 BAR
Closure	22 BAR Max. +200 °C 15 BAR
Air	6 BAR

**E52.11 : Non Lubricated type**  
**E52.118 : Lubricated type**



DESIGN STD: API 6D & ISO 14313	FACE to FACE STD.: ANSI B16.10	FLGD STD.: ANSI B16.5 & ISO 7005-PN20	MAT'L ID: A515	TRIM ID:Cr13-Cr13-Buna N
Prep.:K.KORKMAZ	Che.:Ş.KOÇAK	Appr.:N.ERGIN	Rev.No / Date:R2 / 01.03.2006	Description:
Datasheet Nr.:E52.18		Attach.	Page&Scale:1/1 A4	Origin:DES